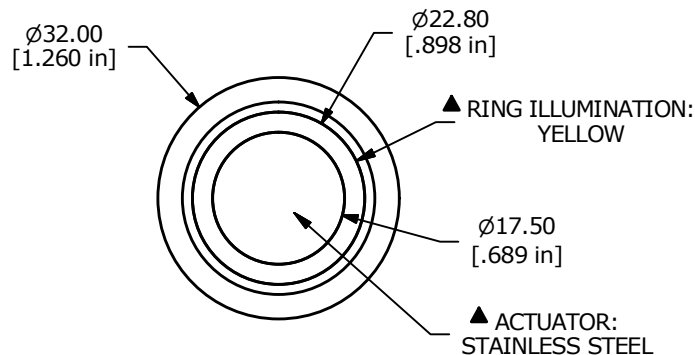
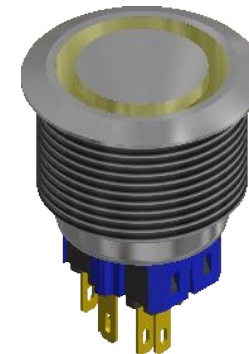


PANEL CUTOUT
MAX. PANEL THICKNESS 10mm

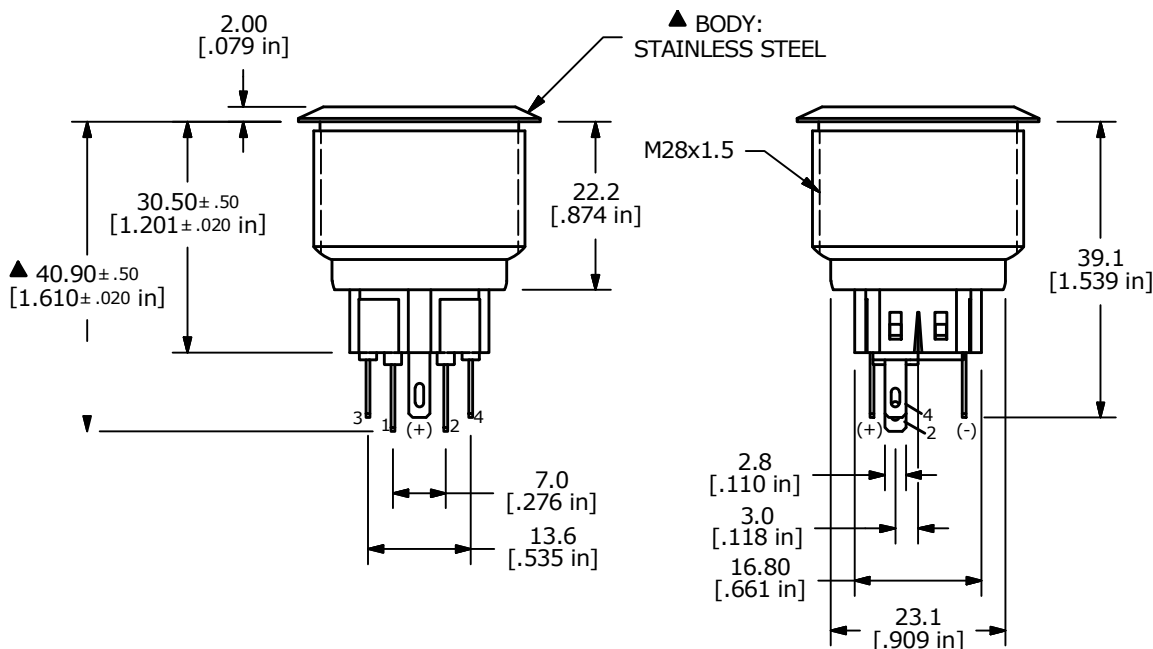
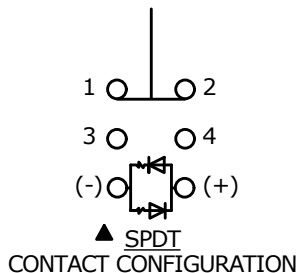


▲ RING ILLUMINATION:
YELLOW

▲ ACTUATOR:
STAINLESS STEEL



SWITCH FUNCTION	
POS. 1	POS. 2
1-2	3-4



NOTE:

1. ALL DIMENSIONS IN MM [INCH]
2. GENERAL TOLERANCE: X.X = ± 0.4
X.XX = ± 0.25
3. TERMINAL NOS. FOR REF. ONLY
- ▲ 4. FUNCTION: SPDT
- ▲ 5. RATING: 2A @ 48VDC
6. ILLUMINATION VOLTAGE: 20mA 1.8V
7. CONTACT RESISTANCE: 50m Ω MAX. @ 1A 12VDC
8. INSULATION RESISTANCE: 1,000M Ω @ 500VDC
9. DIELECTRIC STRENGTH: 2,000VAC MIN. FOR 1 MINUTE
10. ELECTRICAL LIFE: 50,000 CYCLES
11. OPERATING TEMPERATURE: -20°C TO 55°C
12. INGRESS PROTECTION: IP66
13. ▲ DENOTES CRITICAL PARAMETER
14. ILLUMINATION COLOR: YELLOW (FORWARD), YELLOW (REVERSE)
- ▲ 15. SUPPLIED HARDWARE: O-RING AND HEX NUT



B	23837	UPDATED RATING TO IP66	4/8/19	MJR
A	21830	RELEASE FOR PRODUCTION	4/15/15	MW
REV	PCR NO	DESCRIPTION	DATE	BY

TITLE PV9F2T0SS-351				
SCALE	DATE	DR	DWG	REV
1:1	4/15/2015	MW	52-PV9F2T0SS351	B

THE INFORMATION CONTAINED IN THIS DOCUMENT IS PROPRIETARY TO E-SWITCH AND IS NOT TO BE COPIED OR TRANSFERRED